

EUROPEAN STANDARD

**EN 1997-2:2007/AC**

NORME EUROPÉENNE

June 2010

EUROPÄISCHE NORM

Juin 2010

Juni 2010

---

ICS 91.120.20; 91.060.01English version  
Version Française  
Deutsche FassungEurocode 7 - Geotechnical design - Part 2: Ground investigation and  
testingEurocode 7 - Calcul géotechnique - Partie  
2: Reconnaissance des terrains et essaisEurocode 7 - Entwurf, Berechnung und  
Bemessung in der Geotechnik - Teil 2:  
Erkundung und Untersuchung des  
Baugrunds

This corrigendum becomes effective on 2 June 2010 for incorporation in the three official language versions of the EN.

Ce corrigendum prendra effet le 2 juin 2010 pour incorporation dans les trois versions linguistiques officielles de la EN.

Die Berichtigung tritt am 2.Juni 2010 zur Einarbeitung in die drei offiziellen Sprachfassungen der EN in Kraft.

EUROPEAN COMMITTEE FOR STANDARDIZATION  
COMITÉ EUROPÉEN DE NORMALISATION  
EUROPÄISCHES KOMITEE FÜR NORMUNG**Management Centre: Avenue Marnix 17, B-1000 Brussels**

---

© 2010 CEN All rights of exploitation in any form and by any means reserved worldwide for CEN national Members.  
Tous droits d'exploitation sous quelque forme et de quelque manière que ce soit réservés dans le monde entier aux membres nationaux du CEN.  
Alle Rechte der Verwertung, gleich in welcher Form und in welchem Verfahren, sind weltweit den nationalen Mitgliedern von CEN vorbehalten.

**EN 1997-2:2007/AC:2010 (E)****1) Modifications to "Contents"**

*Under Section 1 General, immediately after the line dedicated to Subclause 1.7, add a line about Subclause 1.8, "Symbols and Units", with the page where it can be found.*

*Line dedicated to Annex H, replace the page number "134" with the correct one.*

**2) Modifications to 1.2**

*Title of EN ISO 22476-1, replace "Electrical CPT and CPTU" with "Electrical cone and piezocone penetration tests".*

*Bottom of pages with the references EN ISO 22476-6, EN ISO 22476-8, EN ISO 22476-9, EN ISO 22476-12 and EN ISO 22476-13, insert the following footnote:*

"6 to be published".

*Just after the reference EN ISO 22476-6, add the following reference:*

"EN ISO 22476-7<sup>6</sup> Geotechnical investigation and testing – Field testing – Part 7: Borehole jack test".

*Reference to EN ISO 22476-12, delete footnote mark "6".*

**3) Modification to 1.6**

*Replace footnote number "6" with "7", in the text (i.e. at the end of Paragraph (2)) and at the bottom of the page.*

**4) Modifications to 1.8**

*Paragraph (1), Latin letters, between  $K_{DMT}$  and  $I_L$ , add:*

" $k$  coefficient of permeability".

*Paragraph (1), Greek letters, definition of  $\alpha$ , replace " $E_{OED}$ " with " $E_{oed}$ ".*

*Paragraph (1), Greek letters, definition of  $\sigma'_p$ , replace "effective pre-consolidation pressure" with "effective pre-consolidation pressure or effective vertical yield stress in situ".*

*Paragraph (1), Greek letters, definition of  $\sigma_{v0}$ , replace "total vertical stress" with "initial vertical total stress".*

*Paragraph (1), Greek letters, definition of  $\sigma'_{v0}$ , replace "effective vertical stress" with "initial vertical effective stress".*

*Paragraph (1), Abbreviations, definition of CPT, replace "cone penetration test" with "electrical cone penetration test".*

*Paragraph (1), Abbreviations, between the definition of CPT and that of CPTU, add:*

"CPTM mechanical cone penetration test".

**5) Modification to 4.2.2**

*Paragraph (1)P, replace "EN ISO 22476-1, EN ISO 22476-8, EN ISO 22476-9" with "EN ISO 22476-1 to EN ISO 22476-9".*

**6) Modification to 4.3**

*Title of the subclause, replace "(CPT, CPTU)" with "(CPT, CPTU, CPTM)".*

**7) Modification to 4.3.2**

*Paragraph (1)P, replace "mechanical CPT" with "CPTM".*

**8) Modification to 4.8.3**

*Replace:*

"(2) The following influences can affect the evaluation of the results."

*with:*

"(3) The following influences can affect the evaluation of the results."

**9) Modification to 4.8.4**

*Paragraph (4), NOTE 2, replace:*

"NOTE 2 An example of a correlation to estimate the angle of shearing resistance ( $\phi$ ) of quartz and feldspar sands is given in Annex H."

*with:*

"NOTE 2 Examples for correlations to estimate the drained (long term) Young's modulus of elasticity ( $E'$ ) and the angle of shearing resistance ( $\phi$ ) of quartz and feldspar sands are given in Annex H."

**10) Modification to 5.4.2**

*Paragraph (4), replace "(4)" with "(4)P".*

**11) Modification to 5.9.2.3**

*Paragraph (3), last sentence, replace "compression curves" with "test curves".*

**12) Modification to 5.12.5.2**

*Paragraph (1), replace "(1)P" with "(1)".*

**13) Modification to Annex A**

*Table A.1, 2<sup>nd</sup> column Test results, replace "Value of organic content" with "Loss on ignition".*

**14) Modification to B.2**

*Replace Table B.1 with the following table:*

## EN 1997-2:2007/AC:2010 (E)

"Table B.1— Example of the selection of ground investigation methods in different stages

Preliminary investigations		Design investigations		Control investigations		
Desk study of topographical, historical, geological and hydrogeological maps	<b>Fine soil</b> CPT, SS, DP, SE FVT or SPT	Preliminary choice of foundation method Preliminary choice of foundation method Preliminary choice of foundation method	<b>Pile foundation</b>	SS, CPT, DP, SR FVT, SPT, PIL PS, OS, CS, PMT GWC	Verification of choice of foundation method and design procedure, control of ground improvement works and stability during construction	PIL, Pile driving tests, Stress wave measurements GWC, settlements, Inclinometers
	OS TP, PS, OS		<b>Shallow foundation</b>	SS or CPT, DP FVT, DMT or PMT, BJT PS, OS, CS, TP GWC		Check of the soil type Check of the stiffness (CPT) Settlements, Inclinometers, GWC Volume change potential due to water content change
	GW		<b>Pile foundation</b>	CPT, DP, SR SPT, DMT, PIL OS,, TP GWO		PIL, Pile driving tests Stress wave measurements GWC, settlements Inclinometers
	<b>Coarse soil</b> SS, CPT, DP, SR SPT		<b>Shallow foundation</b>	CPT,DP SPT, PMT, BJT, DMT, PLT OS, TP GWO		Check of the soil type Check of the stiffness (CPT, DP, SPT) Settlements
Mineral extraction						
Aerial photo-interpretation						
Archives of previous construction works and investigations	AS, OS, TP					
Site inspection	GW					
Preliminary geophysical surveys	<b>Rock</b> SR, CPT, MWD PLT		<b>Pile or shallow foundation</b>	SR, MWD, mapping of discontinuities RDT, PMT, BJT TP, CS GWO		Check inclination and discontinuities in the rock and its surface Check contact between pile toe/ foundation and rock surface Verify water conditions of flow and pressure
Preliminary intrusive investigations	CS, AS, TP					
	GW					

<b>Abbreviations</b>		
<b>Field testing</b>		<b>Sampling</b>
BJT	Borehole jack test	PS Piston sampler
DP	Dynamic probing	CS Core sampler
SR	Soil/rock sounding	AS Auger sampler
SS	<b>Static sounding (e.g, weight sounding test, WST)</b>	OS Open sampler
CPT(U)	Cone penetration test (with pore pressure recording)	TP Test pit sampling
SPT	Standard penetration test	
PMT	Pressuremeter test	<b>Groundwater measurements</b>
DMT	Dilatometer test	GW Groundwater measurements
FVT	Field vane test	GWO Groundwater measurements with open system
PLT	Plate load test	GWC Groundwater measurements with closed system
MWD	Measuring while drilling	
SE	Seismic measurements	
PIL	Pile load test	
RDT	Rock dilatometer test	
Notes:		
Soils include naturally deposited and anthropogenic deposits		
Surveying and logging are not included in this chart		
Laboratory tests are not presented on this table		

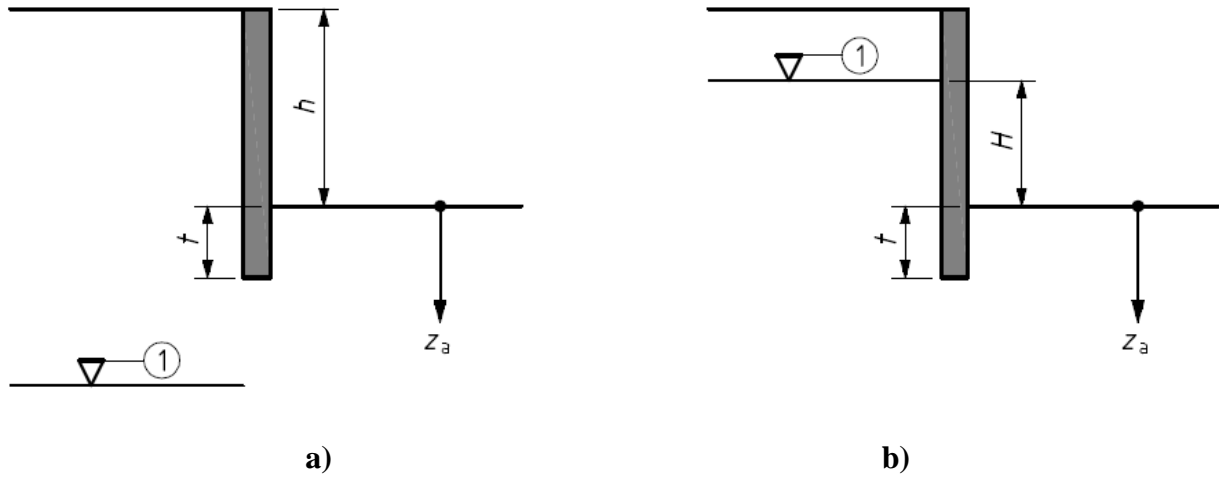
".

**EN 1997-2:2007/AC:2010 (E)****15) Modifications to B.3**

Paragraph (10), entry b), replace "If no stratum which is slightly permeable to groundwater is encountered" with "If no stratum of low permeability is encountered".

Replace Figure B.5 with the following one:

"



".

**16) Modification to D.3**

Paragraph (2), replace:

" $t$  is the time, in years"

with:

" $z_i$  is the depth influenced by the foundation pressure and width, respectively, in m".

**17) Modification to D.4**

Paragraph (1), replace Table D.2 with the following table:

"

Soil	$q_c$	$\alpha$
Low-plasticity clay	$q_c \leq 0,7$ MPa	$3 < \alpha < 8$
	$0,7 < q_c < 2$ MPa	$2 < \alpha < 5$
	$q_c \geq 2$ MPa	$1 < \alpha < 2,5$
Low-plasticity silt	$q_c < 2$ MPa	$3 < \alpha < 6$
	$q_c \geq 2$ MPa	$1 < \alpha < 2$
Very plastic clay	$q_c < 2$ MPa	$2 < \alpha < 6$
Very plastic silt	$q_c > 2$ MPa	$1 < \alpha < 2$
Very organic silt	$q_c < 1,2$ MPa	$2 < \alpha < 8$
Peat and very organic clay	$q_c < 0,7$ MPa	
	$50 < w \leq 100$ (%)	$1,5 < \alpha < 4$
	$100 < w \leq 200$ (%)	$1 < \alpha < 1,5$
	$w > 200$ (%)	$0,4 < \alpha < 1,0$
Chalks	$2 < q_c \leq 3$ MPa	$2 < \alpha < 4$
	$q_c > 3$ MPa	$1,5 < \alpha < 3$
Sands	$q_c < 5$ MPa	$\alpha = 2$
	$q_c > 10$ MPa	$\alpha = 1,5$

".

## 18) Modifications to D.5

Paragraph (1), formula, replace " $\sigma'_{v0}$ " with " $\sigma'_v$ ".

Paragraph (2), replace twice "(range of validity:  $5 \leq q_c \leq 30$ )" with "(range of validity:  $5 \text{ MPa} \leq q_c \leq 30 \text{ MPa}$ )".

Paragraph (2), replace "(range of validity:  $0,6 \leq q_c \leq 3,5$ )" with "(range of validity:  $0,6 \text{ MPa} \leq q_c \leq 3,5 \text{ MPa}$ )".

## 19) Modifications to D.7

Paragraph (2), key to the formulas, replace " $F_{\text{max;shaft;z}}$ " with " $p_{\text{max;shaft;z}}$ ".

Paragraph (3), replace:

$$"0,8D_{\text{eq}} < d_{\text{crit}} < 4D_{\text{eq}}"$$

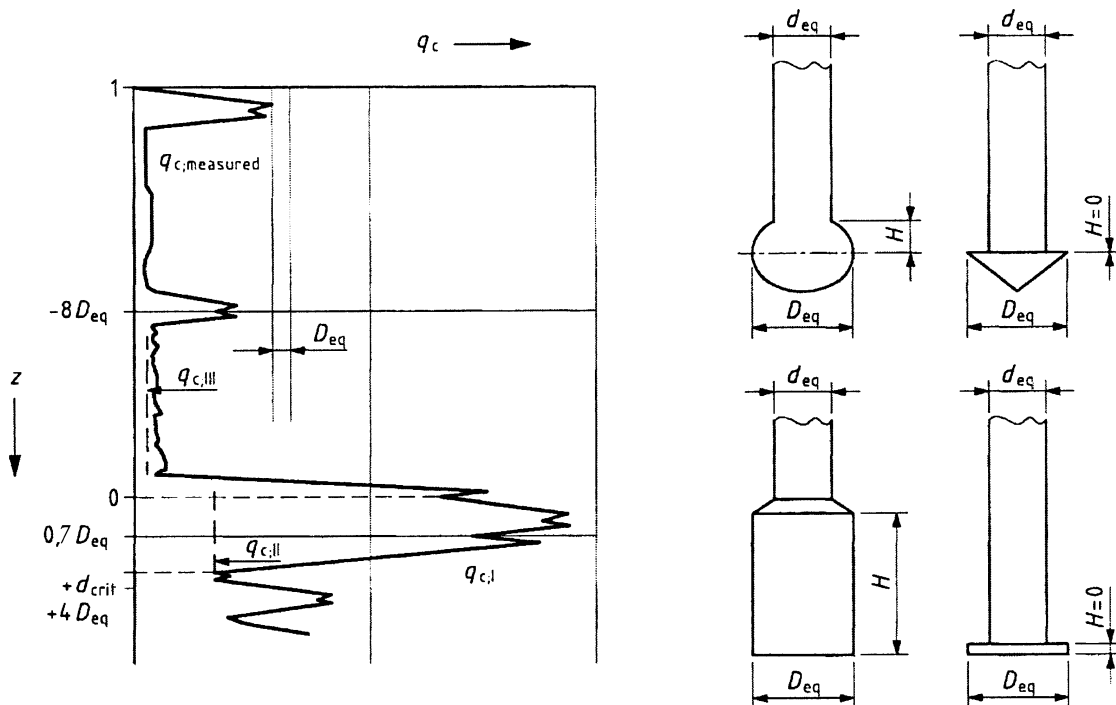
with:

$$"0,7D_{\text{eq}} < d_{\text{crit}} < 4D_{\text{eq}}"$$

Paragraph (4), replace Figure D.2 with the following figure:

EN 1997-2:2007/AC:2010 (E)

"



"

**20) Modifications to E.2**

Paragraph (1), formula for the calculation of  $s$ , replace "a" with " $\alpha$ " as exponent.

Paragraph (1), Table E.3, 3rd column ( $E_M/p_{LM}$ ), 3rd row (Clay - Over-consolidated), replace "<16" with ">16".

**21) Modification to F.1**

Paragraph (3), replace Table F.1 and the following line immediately under it:

"

	Very loose	Loose	Medium	Dense	Very dense
$(N_1)_{60}$	0 – 3	3 – 8	8 – 25	25 – 42	42 – 58

$I_D$             0 % – 15 %    15 % – 35 %    35 % – 65 %    65 % – 85 %    85 % – 100 %

For  $I_D > 0,35$  it corresponds to  $(N_1)_{60}/I_D^2 \cong 60$ ."

with the following table:

"

	Very loose	Loose	Medium	Dense	Very dense
$(N_1)_{60}$	0 – 3	3 – 8	8 – 25	25 – 42	42 – 58
$I_D$	0 % – 15 %	15 % – 35 %	35 % – 65 %	65 % – 85 %	85 % – 100 %

".

## 22) Modifications to I.5

Paragraph (3), formula, replace "1,5" with "-0,15" as exponent of the second factor.

Paragraph (4), formula, replace  $\mu = \left( \frac{0,43}{w_L} \right) \times \left( \frac{c_{fv}}{0,585w_L \times \sigma'_{v0}} \right)^{0,15}$  with

$$\mu = \left( \frac{0,43}{w_L} \right)^{0,45} \times \left( \frac{c_{fv}}{0,585w_L \times \sigma'_{v0}} \right)^{-0,15}.$$

Paragraph (4), NOTE, replace:

"NOTE This equation stems from Hansbo. (1957). For additional information see X.3.6."

with:

"NOTE The equation  $c_{fv} = 0,45 \times w_1 \times \sigma'_p$  stems from Hansbo (1957). For additional information see X.3.6."

## 23) Modification to Annex J

Paragraph (1), replace " $3,0 \geq I_{DMT} \geq 10$ " with " $I_{DMT} \geq 3$ ".

## 24) Modification to K.2

Figure K.1, just above the figure number and title, delete:

"Error! Unknown switch argument."

## 25) Modification to X.3

Title of the clause and footnote, replace footnote number "7" with "8" in the title and in the footnote at the bottom of the page.